

Rotary Seal XSR09

Function:

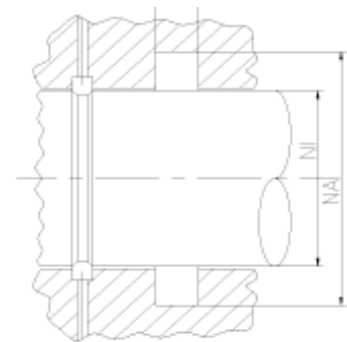
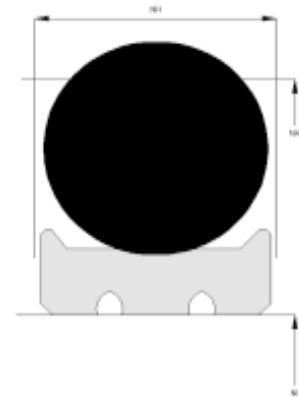
Rotary seals are designed to seal the pressurized hydraulic fluid against the atmosphere, preventing leakage and pollution of the environment or to transfer liquids and/or gases from a stationary part into or out of rotating machinery.

Features:

- Asymmetrical, double acting rotary seal for inside sealing, designed with interference of the O-Ring on the OD and no interference of the PTFE glide ring on the ID.
- Excellent sealing performance at low speeds with high pressure.
- Peripheral grooves that enable the build up of a lubricant reservoir.
- No tendency to “stick-slip” effect.
- Low break-away load after long standstills.
- Good gap extrusion resistance.

Application:

Slow moving shafts, pivoting movements, revolving distributors, swivel joints.
Max. pressure 350 bar, max. speed 0.4 m/s.



Seal housing recommendation:

Tolerances	[mm]	
L < 10mm	+ 0.2	
L ≥ 10mm	+ 0.3	
Ø NA	H 8	
Ø NI	f8	

Surface roughness	Rtmax [μ]	Ra [μ]
Bottom of groove	≤ 6.3	≤ 1.6
Face of groove	≤ 15	≤ 3

Sliding surface	Rtmax [μ]	Ra [μ]
PU, elastomeres	≤ 2.5	≤ 0.1 - 0.5
PTFE	≤ 2	≤ 0.05 - 0.3

Installation:

Snap-in installation.

Attention: PTFE glide rings need calibration after installation!