

Mining Seal XSR50

Function:

Rod seals are designed to seal the pressurized hydraulic fluid against the atmosphere, preventing leakage and pollution of the environment.

Features:

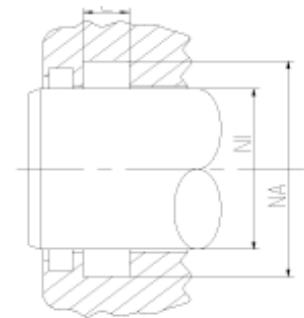
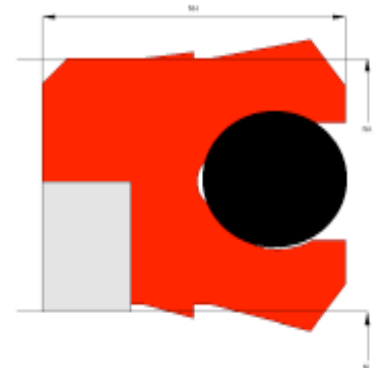
- Asymmetrical, single acting rod seal, designed with interference of the additional stabilizing lip on the OD which provides a good static fit in the groove.
- Increased preload due to an additional O-Ring.
- Activated back-up ring prevents and reduces gap extrusion.
- Secondary lip on the ID for stabilising at large seal heights and reducing the residual oil film.
- Excellent static and dynamic sealing performance.
- Excellent performance in all pressure ranges.
- No reverse leakage when changing direction.
- Recommended for positioning or holding under pressure.

Application:

Reciprocating rods in hydraulic cylinders, plungers, push rods, telescopic cylinders, fittings, mining cylinders, etc.

Switching or clamping functions.

Max. pressure 700 bar, max. speed 0.5 m/s.



Seal housing recommendation:

Tolerances	[mm]	
L < 10mm	+0.2	
L ≥ 10mm	+0.3	
Ø NA	H10	
Ø NI	f 8	

Surface roughness	Rtmax [μ]	Ra [μ]
Bottom of groove	≤ 6.3	≤ 1.6
Face of groove	≤ 15	≤ 3

Sliding surface	Rtmax [μ]	Ra [μ]
PU, elastomeres	≤ 2.5	≤ 0.1 - 0.5
PTFE	≤ 2	≤ 0.05 - 0.3

Installation:

Snap-in installation.