

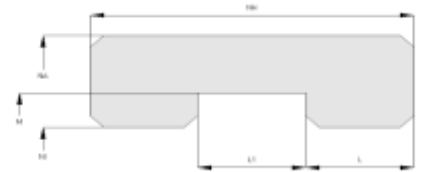
Guide Ring **XSBWR07**

Function:

Guiding elements are designed to prevent metal to metal contact between components of hydraulic systems e.g. piston and cylinder barrel or shaft and cylinder head.

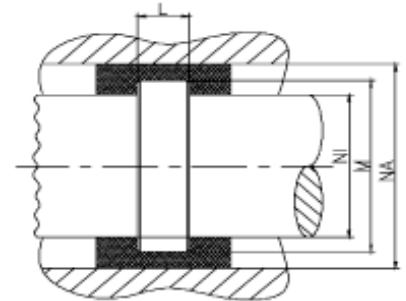
Features:

- Normally cut at an angle for easy installation, but also available as non-split version.
- For use in piston applications.
- Integrated collar on Inside diameter.
- Design combines guiding and backing function.
- Low dynamic friction.
- Low break-away forces after long standstills.



Application:

Reciprocating pistons and rods in hydraulic cylinders, plungers.



Seal housing recommendation:

Tolerances		[mm]
Ø NA		H8
Ø NI		h9
Ø M		h9

Surface roughness		Rtmax [µ]	Ra [µ]
Bottom of groove		≤ 6.3	≤ 1.6
Face of groove		≤ 15	≤ 3

Sliding surface		Rtmax [µ]	Ra [µ]
PU, elastomeres		≤ 2.5	≤ 0.1 - 0.5
PTFE		≤ 2	≤ 0.05 - 0.3

Installation:

Snap-in installation