

# Wiper Ring

# XSWR08

### Function:

Wipers are designed to keep dust, dirt, sand and others off the rod and the sealing and guiding elements, avoiding abrasive damage caused by external contamination.

WR08 wipers are designed to work as an initial wiper, protecting the elastomer wiper from hard encrusted dirt or ice on the rod.

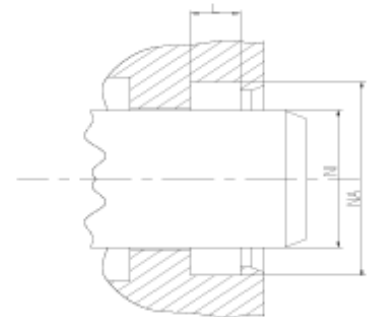
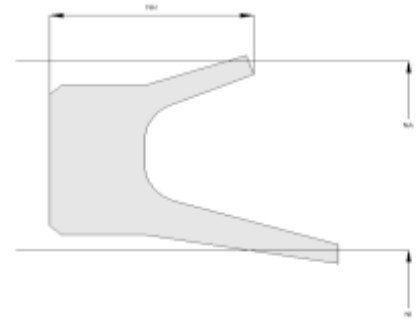
### Features:

- The profile is designed without any interference on the OD or ID.
- It is held in place via the outside lip and the retainer nose.
- Made in hard plastics (POM, PEEK, etc.) or hard grade PU which ensures high stiffness, breaking strength and stability.
- Good dry running properties.
- Not suitable for pressure from the trailing side.
- Special designed housings required.

### Application:

Reciprocation rods in hydraulic cylinders, plungers.

Max. pressure 0 bar, max. speed 1 m/s.



### Seal housing recommendation:

Tolerances	[mm]	
L	+ 0.2	
Ø NA	H9	
Ø NI	h10	

Surface roughness	Rtmax [ $\mu$ ]	Ra [ $\mu$ ]
Bottom of groove	$\leq 6.3$	$\leq 1.6$
Face of groove	$\leq 15$	$\leq 3$

Sliding surface	Rtmax [ $\mu$ ]	Ra [ $\mu$ ]
PU, elastomeres	$\leq 2.5$	$\leq 0.1 - 0.5$
PTFE	$\leq 2$	$\leq 0.05 - 0.3$

### Installation:

Snap-in installation.