

Static Seal XSSS01

Function:

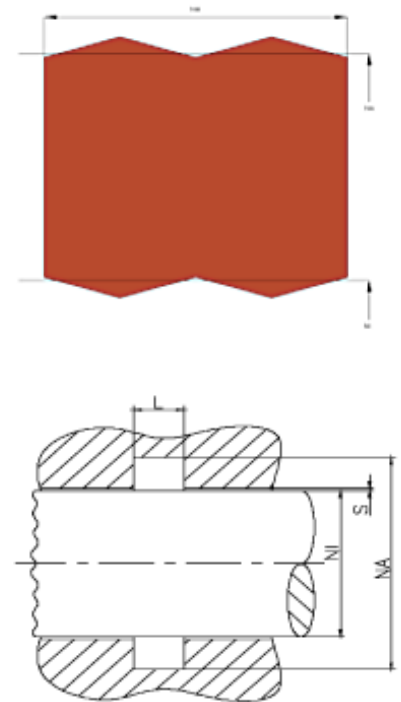
The SS01 seal is a double acting seal, activated by the system pressure. The sealing effect is generated by axial or radial preload. The preload of the seal is superposed by the hydraulic pressure, thus assuring the overall sealing pressure.

Features:

- Better pressure distribution compared to O-Rings
- Flexible dimensioning of the seal for use also in special dimensioned grooves.
- Sealing over a wide range of pressures, temperatures and tolerances.
- Wide application ranges.
- Simple mounting.
- Compact and simple grooves.
- Easy and cost saving constructions possible.

Application:

mainly used as static seal (e.g. flanges and threaded joints) but also used at rotation and linear movement applications



Seal housing recommendation:

Tolerances	[mm]	
s	f7/H8	
Surface roughness	Rtmax [μ]	Ra [μ]
Bottom of groove	≤ 6.3	≤ 1.6
Face of groove	≤ 15	≤ 3
Sliding surface	Rtmax [μ]	Ra [μ]
	≤ 6.3	≤ 1.6

Installation:

Snap-in installation