

# Piston-/Rod Seal

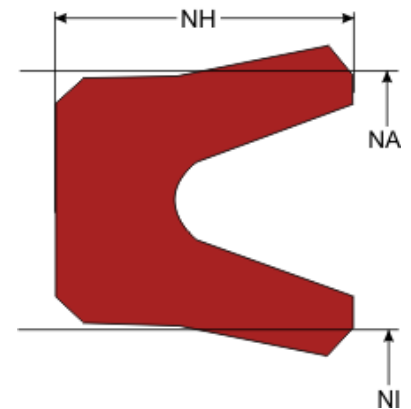
## XSPRS06A

### Function:

Symmetrical piston/rod seals are designed to seal the pressurized hydraulic fluid against the atmosphere or between two pressurized spaces.

### Features:

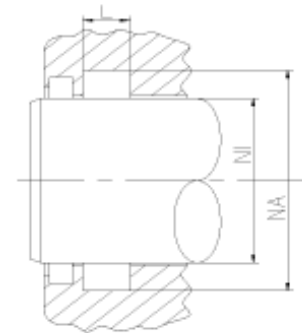
- Symmetrical, single acting piston/rod seal, no interference on the ID or OD.
- Wider groove and softer lips compared to PRS06.
- Excellent static and dynamic sealing performance.
- Excellent performance in low pressure conditions.
- Useable for long stroke lengths.
- Negligible tendency to “stick-slip” effect above a speed of 0.15 m/s.



### Application:

Reciprocating pistons/rods in hydraulic cylinders, plungers etc. where low friction is required.

Universal piston / rod seal for small extrusion gaps and minor work loads.



max. speed	max. pressure	material
0.5 m/s	400 bar (40 MPa)	all HPU typen
0.7 m/s	400 bar (40 MPa)	HPU94 GM
0.5 m/s	160 bar (16 MPa)	all Elastomer types

For higher speed or pressure please ask our technical department.

### Seal housing recommendation:

Tolerances	[mm]	
L < 10 mm	+ 0.2	
L ≥ 10 mm	+ 0.3	
Ø NA (rod groove)	H10	
Ø NI (rod diam.)	f 8	
Ø NA (cylinder diam.)	H9	
Ø NI (piston groove)	h10	

Surface roughness	Rtmax [µ]	Ra [µ]
Bottom of groove	≤ 6.3	≤ 1.6
Face of groove	≤ 15	≤ 3

Sliding surface	Rtmax [µ]	Ra [µ]
PU, elastomeres	≤ 2.5	≤ 0.1 - 0.5
PTFE	≤ 2	≤ 0.05 - 0.3

### Installation:

Snap-in installation.